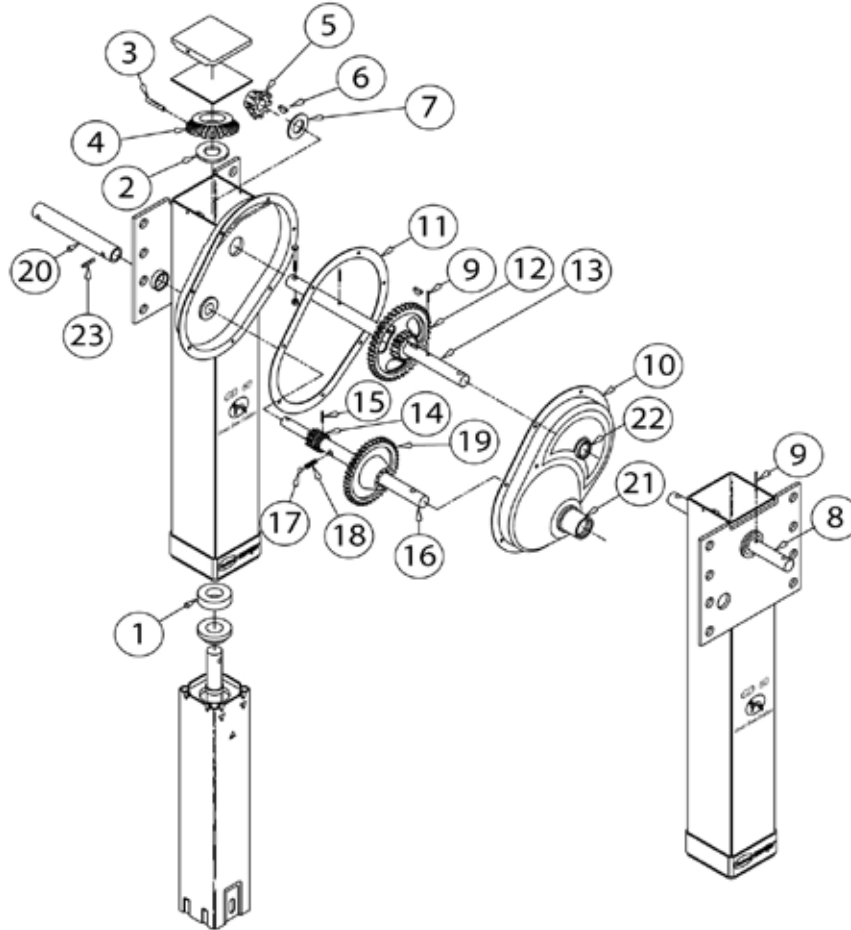


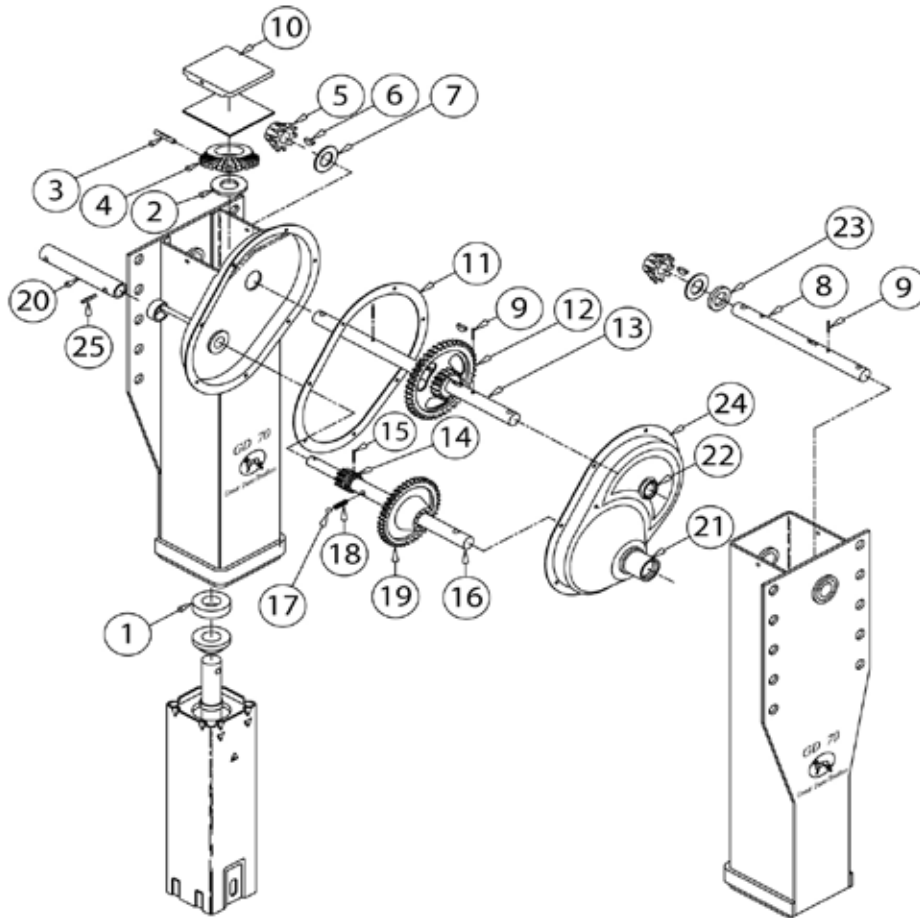
GD60 FAST GEAR COMPONENTS (AFTER JUNE 2000)



Item	Part Number	Description	Item	Part Number	Description
1	BINXB-BRG-013-77	THRUST BEARING			
2	BINXB-PW-016-62	WASHER 2" X 1.192"			
3	BINXA-CRP-V-06635	GROOVED PIN .38" X 2"			
4	BINLG0570-01	BEVEL GEAR			
5	BINXB-LG1823-01	PINION GEAR 51K			
6	BINXB-KEY-018-02	WOODRUFF KEY #807			
7	BINXB-PW-016-19	WASHER 1.88" X 1.015"			
8	LG0927	JACK SHAFT LH UNIV. MOUNT			
	LG0946-02	JACK SHAFT LH CONVENTIONAL MT	13	BINLG2147	JACK SHAFT RH UNIV. MOUNT
	LG0948	JACK SHAFT LH REVERSE MOUNT		LG2187-01	JACK SHAFT RH CONVENTIONAL MT
9	BINXB-SP-014-27	SPRING PIN .25" X 1.5"		LG2197	JACK SHAFT RH REVERSE MOUNT
10	BINLG0944-10	GEARBOX HALF OUTSIDE ASSY	15	BINXB-GP-052-11	GROOVED PIN .25" X .969"
11	BINXB-LG0891	GEARBOX COVER GASKET FAST GEAR	16	LG02463-01	SHIFT SHAFT UNIV. & CONV.
12	BINLG0936-51	OUTPUT GEAR		LG0264-01	SHIFT SHAFT REVERSE MOUNT
			17	HOLXB-BAL-023-07	SHIFT LOCK BALL SS
			18	HOLXB-SPG-020-36	SHIFT LOCK SPRING GALV.
			19	LG0934-01	INPUT GEAR HIGH
			20	BINLG2462	SHIFT SHAFT EXTENSION 8.88"
			21	BINXB-LG0658-01	SHIFT LOCK BEARING
			22	BINLGXB-0659-01	BOSS WITH SEAL GROOVE
			23	BINXB-GP-052-49	GROOVE PIN TYPE E .25" X 1.13"

GD70 FAST GEAR COMPONENTS (AFTER JUNE 2000)

GD70 FAST GEAR LANDING GEAR

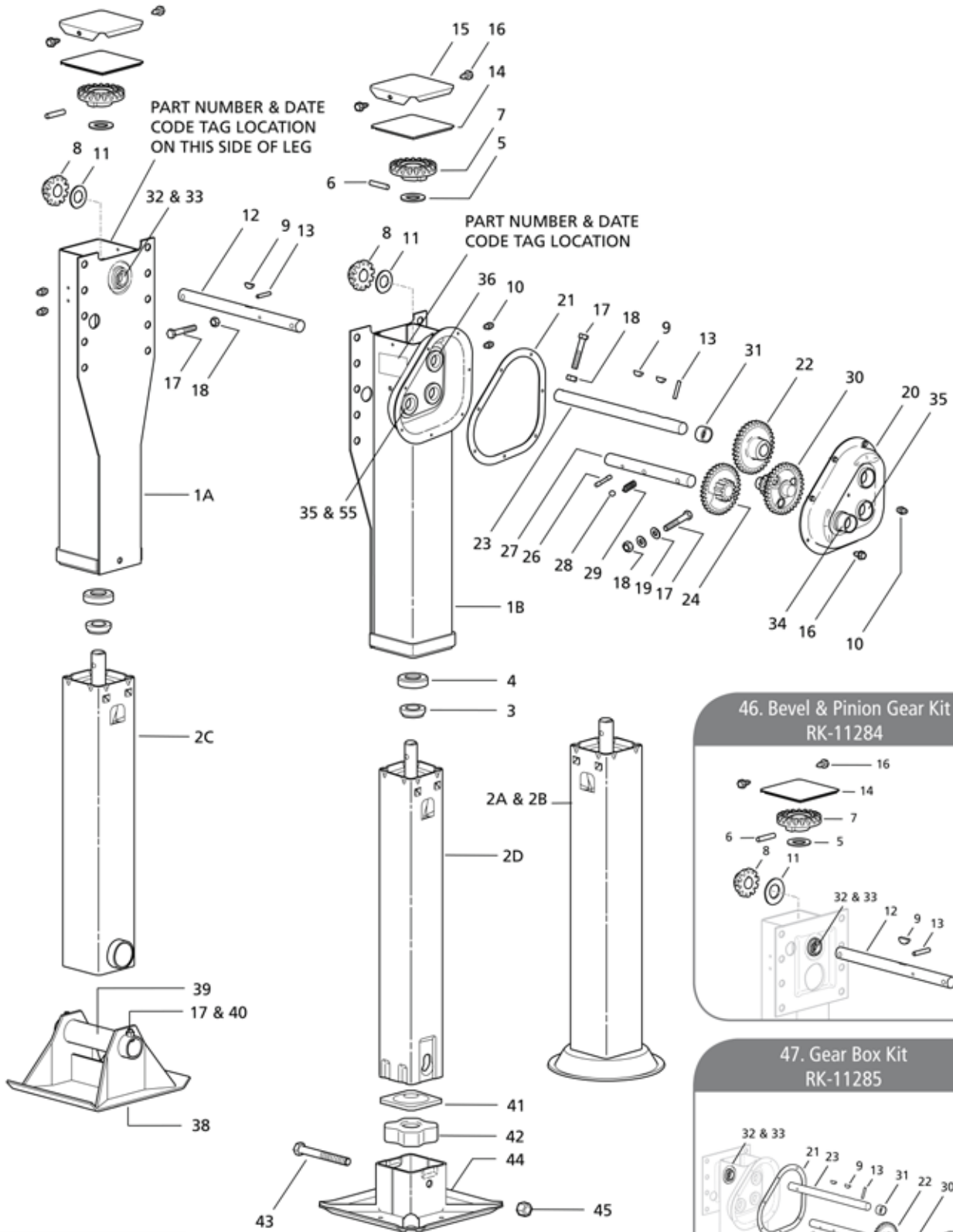


Item	Part Number	Description
1	BINXB-BRG-013-77	THRUST BEARING
2	BINXB-PW-016-62	WASHER 2" X 1.192"
3	BINXA-CRP-V-06635	GROOVED PIN .38" X 2"
4	BINXA-LG0570-01	BEVEL GEAR
5	BINLG0531-02	PINION GEAR
6	BINXB-KEY-018-02	WOODRUFF KEY #807
7	BINXB-PW-016-19	WASHER 1.88" X 1.015"
8	LG0259	JACK SHAFT LH UNIV. MOUNT
	LG0369-01	JACK SHAFT LH I-BEAM MOUNT
	LG0436	JACK SHAFT LH REVERSE MOUNT
9	BINXB-SP-014-27	SPRING PIN .25" X 1.50"
10	BINLG0264	COVER, 50 K
11	BINXB-LG0891	GEARBOX COVER GASKET
12	BINLG0936-51	OUTPUT GEAR
13	LG2147-50	JACK SHAFT RH UNIV. MOUNT

Item	Part Number	Description
13	LG2187-50	JACK SHAFT RH I-BEAM MOUNT
	LG2197-50	JACK SHAFT RH REVERSE MOUNT
14	RK-10980	INPUT GEAR KIT
15	BINXB-GP-052-11	GROOVED PIN .25" X .969"
16	RK-10980	SHIFT SHAFT UNIV. & I-BEAM
17	HOLXB-BAL-023-07	SHIFT LOCK BALL SS
18	HOLXB-SPG-020-36	SHIFT LOCK SPRING GALV.
19	RK-10980	INPUT GEAR HIGH
20	BINLG2462	SHIFT SHAFT EXTENSION 8.88"
21	BINXB-LG0658-01	SHIFT LOCK BEARING
22	BINXB-LG0659-01	BOSS WITH SEAL GROOVE
23	XB-PW-016-14	WASHER 1.75" X 1.03"
24	BINLG0944-10	GEARBOX HALF OUTSIDE ASSY
25	BINXB-GP-052-49	GROOVE PIN TYPE E .25" X 1.13"



MODEL 50000 COMPONENTS



DISCONTINUED MODEL SERVICE PARTS ONLY

As of 03/2012 50000 model legs were replaced with the Holland ATLAS 65 model.



MODEL 50000 COMPONENTS

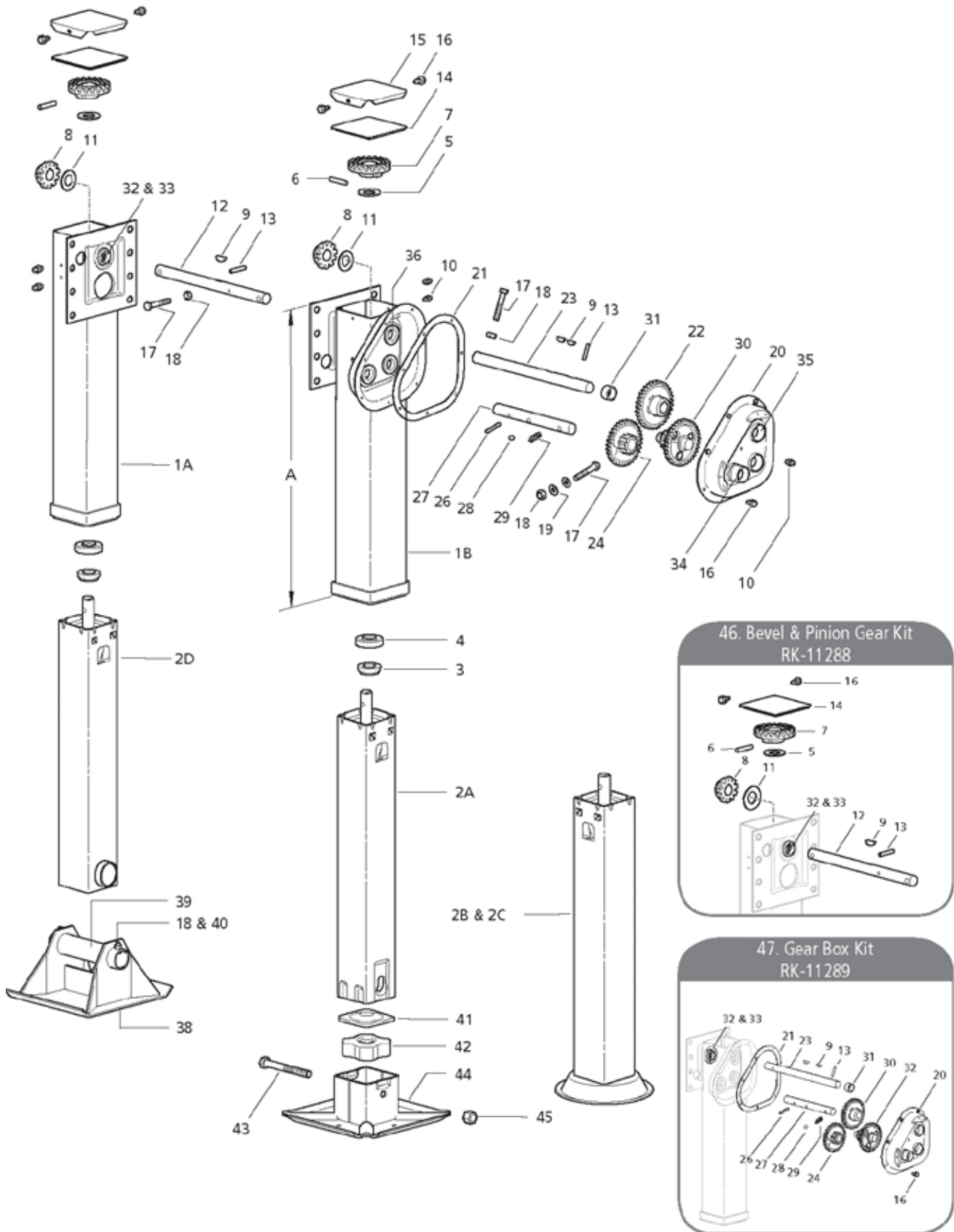
Item	Description	Travel				
		13-1/2"	15-1/2"	17"	17" CAN.	19"
1A	UPPER HOUSING LH	N/A	N/A	N/A	N/A	N/A
1B	UPPER HOUSING RH W/GEARBOX HALF	N/A	N/A	N/A	N/A	N/A
2A	RETRACT TUBE ASS'Y - 10 DIA. SHOCK FOOT	LG0569-02	N/A	LG0569	LG0569-01	LG0569-04
2B	RETRACT TUBE ASS'Y - 12 DIA. SHOCK FOOT	LG0580-01	N/A	LG0580-02	LG0580-05	LG0580-03
2C	RETRACT TUBE ASS'Y - AXLE SOCKET	LG0574-01	LG0574-07	LG0574-02	N/A	LG0574-04
2D	RETRACT TUBE ASS'Y - RCF	N/A	N/A	LG0747-504	N/A	LG0747-505

Item	Part Number	Description
3	XB-LG0544	COLLAR
4	XB-BRG-013-77	THRUST BEARING
5	XB-PW-016-62	WASHER - FL 2" X 1.192"
6	XB-CRP-V-06635	PIN - 3/8" X 2"
7	XA-LG0570-01	BEVEL GEAR
8	LG0531-02	PINION GEAR
9	XB-KEY-018-02	KEY - WOODRUFF #807
10	XB-GRF-022-16	FTG - GREASE .25"-28 SELF TAPPING
11	XB-PW-016-19	WASHER 1.875" X 1.015"
12	LG0259	JACK SHAFT LH UNIVERSAL MOUNT
	LG0369-01	LH STANDARD MOUNT
	LG0369-05	LH CONVENTIONAL MOUNT
	LG0436	LH REVERSE MOUNT
13	XB-SP-014-27	PIN - SPRING DIA .25" X 1.5"
14	XB-LG0413	GASKET
15	LG0264	COVER
16	XB-ST5-008-11	SELF-TAPPING SCREW - .25"-20 X .5"
17	XB-HHC-050-42	SCREW - HEX HD .38"-16 X 2.25"
18	XB-SLN-012-04	SELF-LOCKING NUT - .38"-16
19	XB-PW-016-03	WASHER - .38" TYPE A
20	XB-VLG0663	GEARBOX HALF - OUTSIDE
21	XB-LG0428	GEARBOX GASKET
22	LG0543-01	OUTPUT GEAR
23	LG0260	RH JACKSHAFT - UNIVERSAL MOUNT
	LG0370-01	RH I-B STANDARD MOUNT
	LG0370-05	RH CONVENTIONAL MOUNT
	LG0438	RH REVERSE MOUNT

Item	Part Number	Description
24	LG0541-01	INPUT GEAR
26	XB-GP-014-07	GROOVE PIN - .25" X 1.50" LG TYPE E
	LG0261-01	SHIFT SHAFT - UNIVERSAL MOUNT
27	LG0371-01	I-BEAM & CONVENTIONAL MOUNT
	LG0437	REVERSE MOUNT
28	XB-BAL-023-07	SHIFT LOCK BALL
29	XB-SPG-020-36	SHIFT LOCK SPRING
30	XB-LG0542-01	IDLER GEAR
31	XB-LG0219-01	SPACER BUSHING
32	LG2094	RETAINER - HEX LOCK
33	LG2095	HEX LOCK BOSS
34	XB-LG0658-01	SHIFT LOCK BOSS
35	XB-LG0659-01	GEARBOX BOSS
36	XB-LG0660	GEARBOX BOSS - INSIDE HALF
38	50616001	SANDSHOE 10" X 10" X 4.50"
	50616000	SANDSHOE 10" X 12" X 4.50"
	50616008	SANDSHOE 10" X 10" X 2.00"
	50616007	SANDSHOE 10" X 12" X 2.00"
39	LG0070-02	SANDSHOE AXLE - HOLLOW AXLE 8.50"
40	XB-HHC-050-69	SCREW - HEX CAP .38"-16 X .25"
41	LG0725	CUSHION FOOT PLATE
42	XB-LG0726	CUSHION FOOT RUBBER
43	XB-HHB-050-70	HEX HEAD BOLT .63"-11 X 5.50"
44	LG0732-01	REMOVABLE CUSHION FOOT 10" X 10"
45	XB-SP0012-10	SELF LOCKING NUT .63"-11
46	RK-11284	BEVEL & PINION GEAR REPAIR KIT
47	RK-11285	GEAR BOX REPAIR KIT



MODEL 51000 COMPONENTS



MODEL 51000 COMPONENTS

Item	Part Number	Description
1A	N/A	UPPER HOUSING LH
1B	N/A	UPPER HOUSING RH
2A	N/A	RETRACT TUBE - RCF
2B	N/A	RETRACT TUBE - 10" SHOCKFOOT
2C	N/A	RETRACT TUBE - 12" SHOCKFOOT
2D	N/A	RETRACT TUBE - AXLE
3	XB-LG0544	COLLAR
4	XB-BRG-013-77	THRUST BEARING
5	XB-PW-016-62	WASHER 2" X 1.192"
6	XA-CRP-V-06635	PIN - 3/8" X 2"
7	XA-LG0570-01	BEVEL GEAR
8	XB-LG1823-01	PINION GEAR
9	XB-KEY-018-02	KEY - WOODRUFF .25" X .875"
10	XB-GRF-022-16	FTG - GREASE .25"-28 SELF TAPPING
11	XB-PW-016-19	WASHER 1.875" X 1.015"
12	LG0927	JACK SHAFT LH UNIVERSAL MOUNT
	LG0946	LH STANDARD MOUNT
	LG0946-02	LH CONVENTIONAL MOUNT
	LG0948	LH REVERSE MOUNT
13	XB-SP-014-27	PIN - SPRING DIA .25" X 1.5"
14	XB-LG0893	GASKET
15	XA-LG0880	COVER
16	XB-STS-008-11	SELF-TAPPING SCREW .25"-20 X .5"
17	XB-HHC-050-42	SCREW, HEX CAP .38"-16 X 2.25"
18	XB-SLN-012-04	SELF-LOCKING NUT .38"-16
19	XB-PW-016-03	WASHER .38" STD TYPE A
20	XB-LG0663	GEARBOX HALF, OUTSIDE
21	XB-LG0428	GEARBOX GASKET
22	LG0543-01	OUTPUT GEAR
23	LG0928	JACKSHAFT RH - UNIVERSAL
	LG0947	RH I-BEAM

Item	Part Number	Description
23	LG0947-02	RH CONVENTIONAL
	LG0949	RH REVERSE
24	LG0541-01	INPUT GEAR
26	XB-GP-014-07	GROOVE PIN, TYPE E 25" X 1.50"
27	LG0261-01	SHIFT SHAFT - UNIVERSAL
	LG0371-01	I-BEAM & CONVENTIONAL
	LG0437	REVERSE
28	XB-BAL-023-07	SHIFT LOCK BALL
29	XB-SPG-020-36	SHIFT LOCK SPRING
30	XB-LG0542-01	IDLER GEAR
31	XB-LG0219-01	SPACER BUSHING
32	LG2094	RETAINER, HEX LOCK
33	LG2095	HEX LOCK BOSS
34	XB-LG0658-01	SHIFT LOCK BOSS
35	XB-LG0659-01	GEARBOX BOSS
36	XB-LG0660	GEARBOX BOSS, INSIDE HALF
38	50616001	SANDSHOE 10" X 10" X 4.50"
	50616000	SANDSHOE 10" X 12" X 4.50"
	50616008	SANDSHOE 10" X 10" X 2.00"
	50616007	SANDSHOE 10" X 12" X 2.00"
39	LG0070-02	SANDSHOE AXLE - HOLLOW AXLE 8.50"
40	XB-HHC-050-69	SCREW, HEX CAP .38"-16 X .75"
41	LG0725	CUSHION FOOT PLATE
42	XB-LG0726	CUSHION FOOT RUBBER
43	XB-HHB-050-70	BOLT - HEX HEAD .63"-11 X 5.50"
44	LG0718-01	R.C.F. 10"
	LG0740-01	R.C.F. 12"
	LG0732-01	R.C.F. 10" X 10"
45	XB-SP0012-10	SELF-LOCKING NUT - .63"-11"
46	RK-11288	BEVEL & PINION GEAR REPAIR KIT
47	RK-11289	GEAR BOX REPAIR KIT